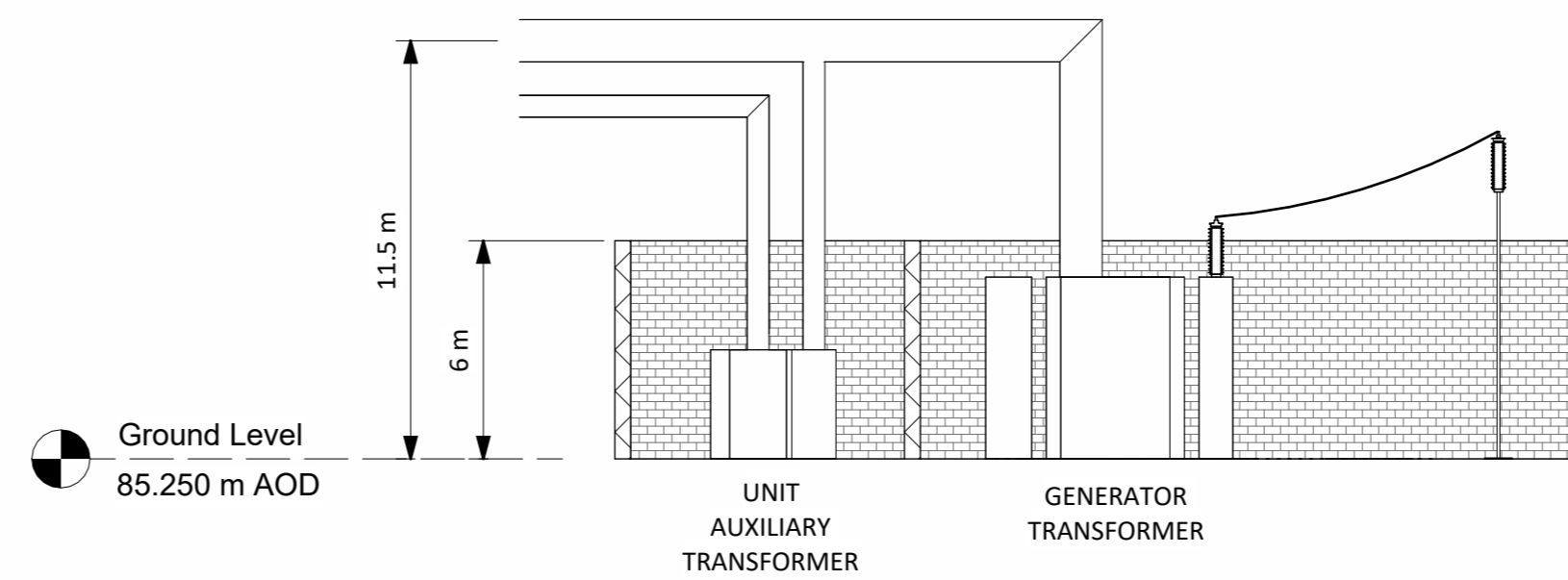
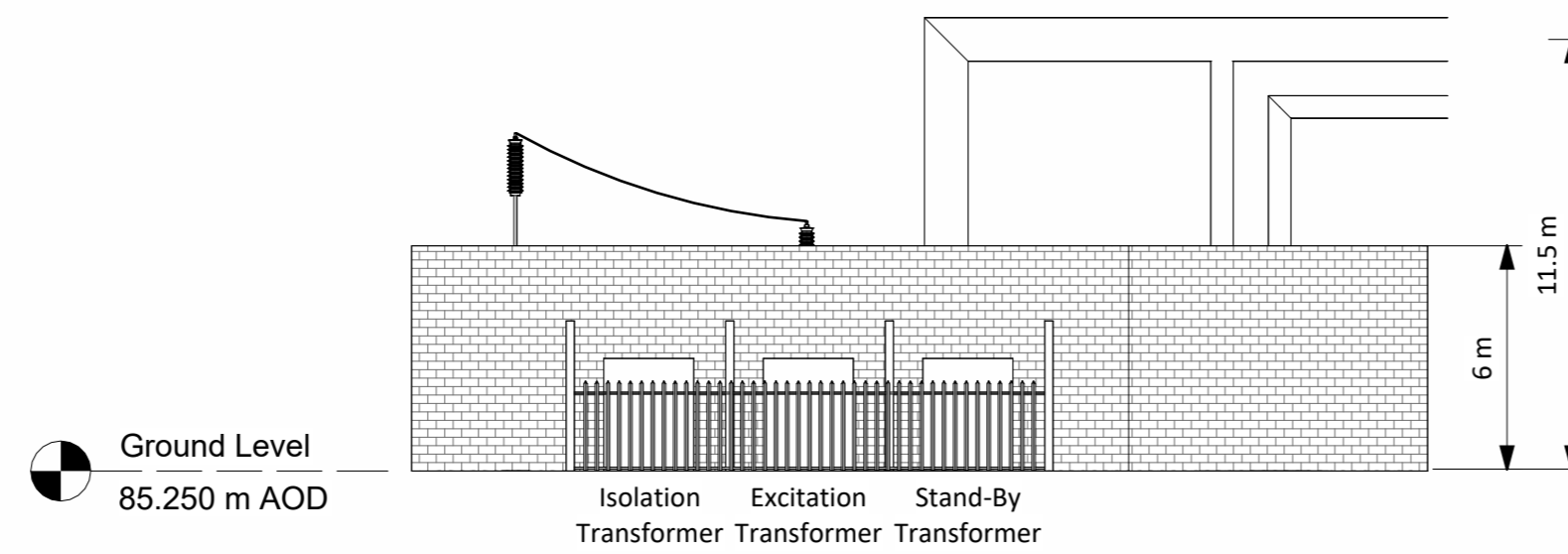


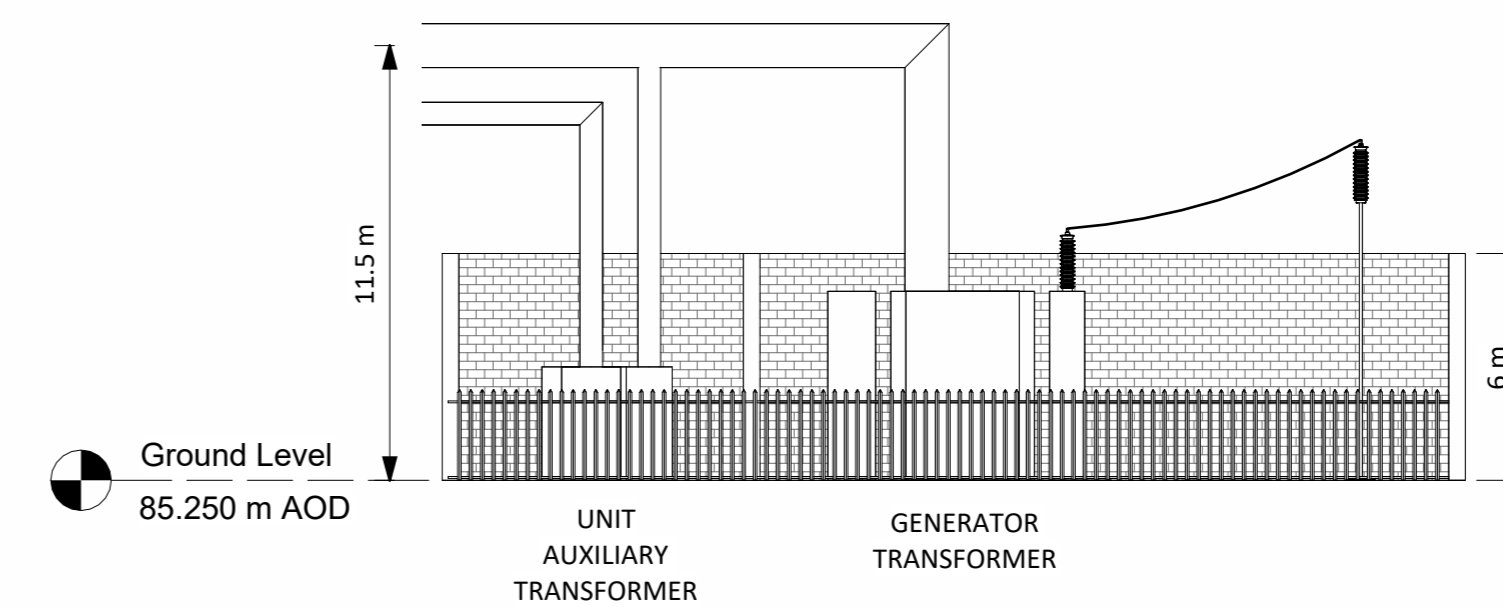
1 Transformer Plan 85.250m AOD
1 : 200



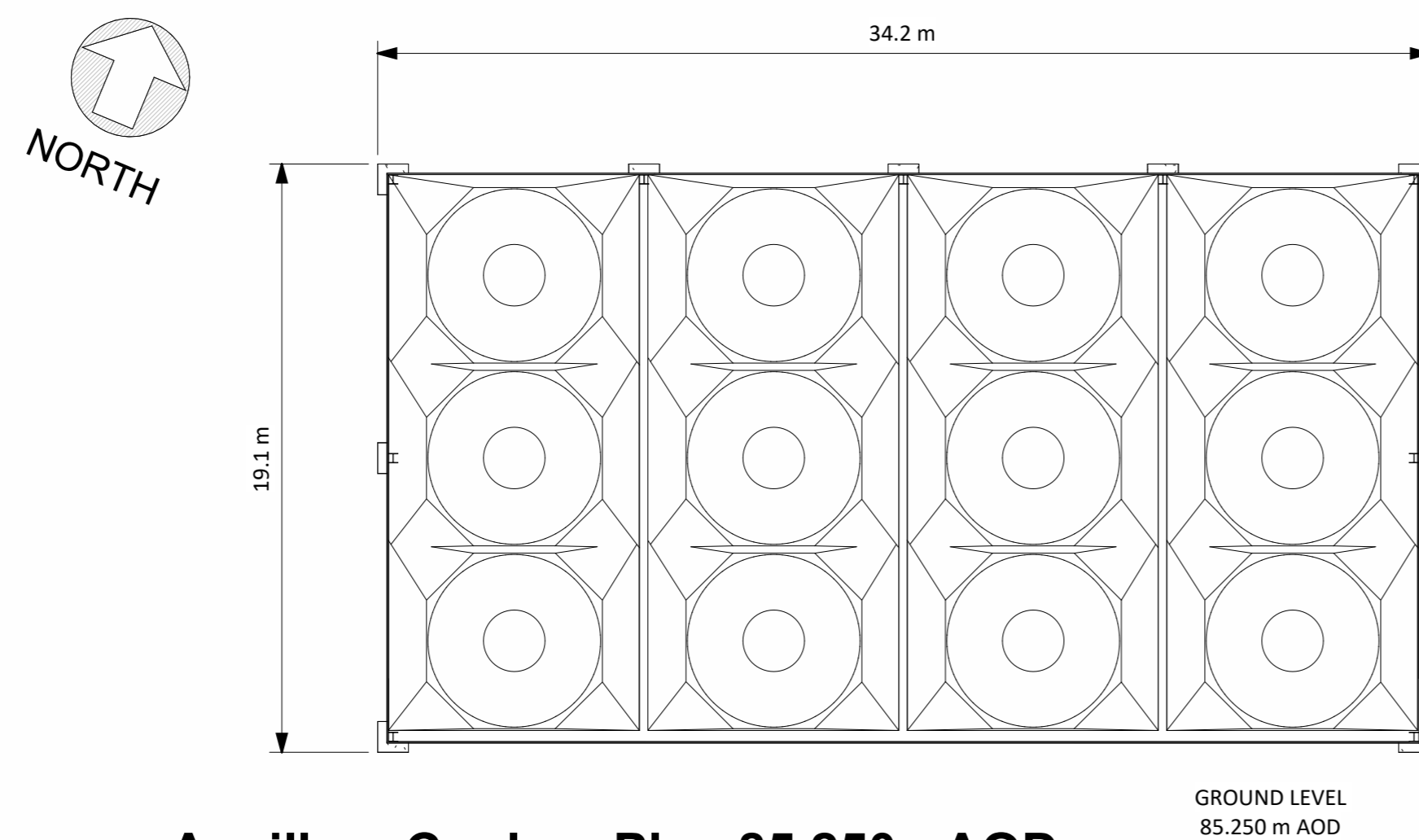
4 Section A-A Through Transformer
1 : 200



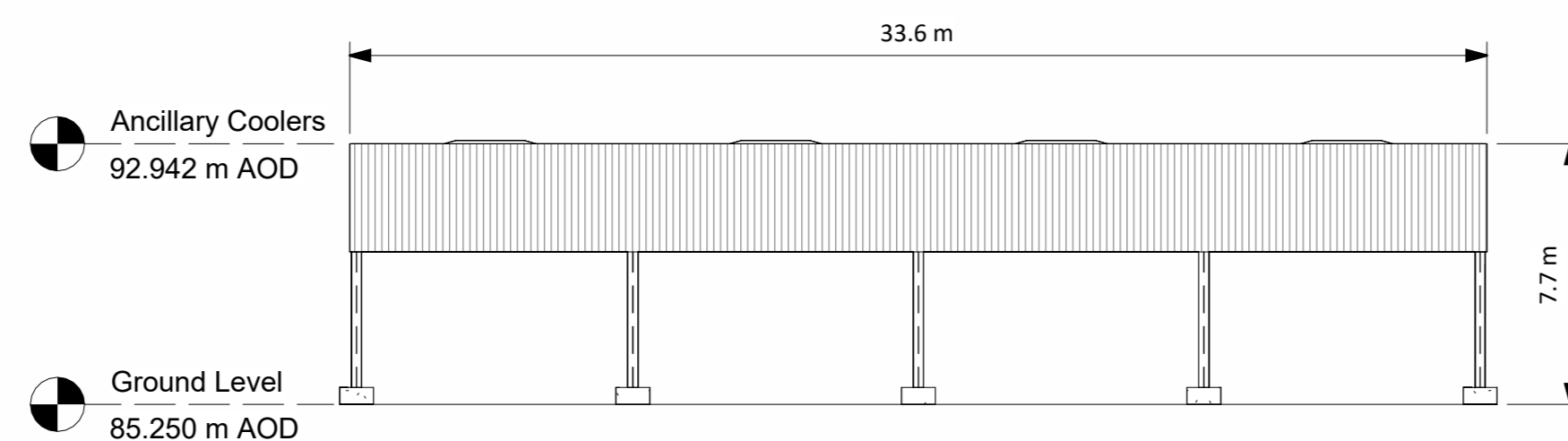
2 Transformer West Elevation
1 : 200



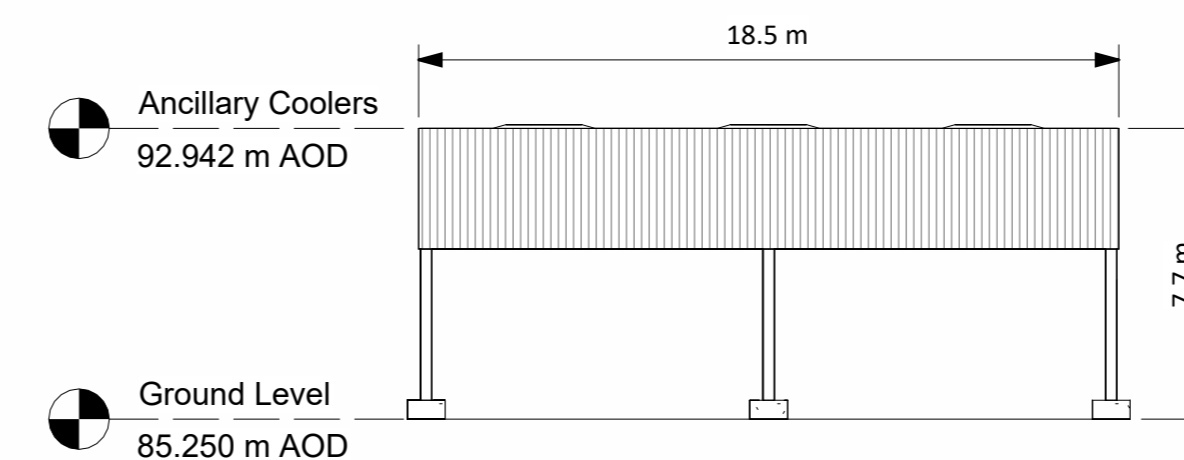
3 Transformer East Elevation
1 : 200



5 Ancillary Coolers Plan 85.250m AOD
1 : 200

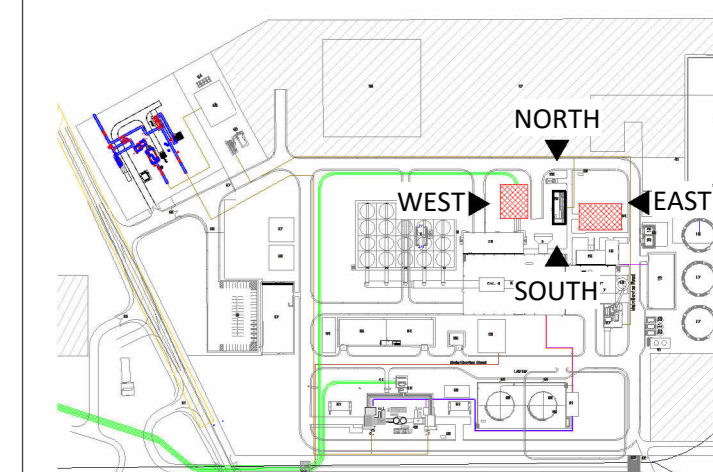


6 Ancillary Coolers North/South Elevations
1 : 200



7 Ancillary Coolers East/West Elevations
1 : 200

NOTES:



Key Plan
1 : 6000

NOTES:

- Building colours will range within a muted mid-dark grey and green spectrum. Refer to EIAR Vol. II, Appendix 10A for detail
- Final detail of building finishes to be agreed with planning authority in advance of development commencing

R1.0	FOR PLANNING	DTW	AO1	BAB	26.01.24
REV.	DETAILS OF REVISION	DRAWN	CHKD	APR	DATE

FICHTNER
CONSULTING ENGINEERS LIMITED
7 Sir John Rogerson's Quay, Block C,
Grand Canal Docklands,
Dublin 2, D02 VK60
Tel: +353 (1) 506 0632
Website: www.fichtner.ie

CLIENT: **Bord na Móna Powergen Limited**

SITE:

PROJECT: **Derrygreenagh Power**

TITLE:

ANCILLARY COOLERS & TRANSFORMERS

DRAWING STATUS: For Planning

DRAWN BY: DTW DATE: 26.01.24

CHECKED BY: AO1 DATE: 26.01.24

APPROVED BY: BAB DATE: 26.01.24

FILENAME:

OFFICE OF ISSUE: DUBLIN

SHEET SIZE: A1 SCALE: 1:200

DRAWING No.: S7060-8050-0035 REVISION:

Sheet 01 **R1.0**

